



**I-CUBEX**

• *Sensors & Interfaces*

• *Software*

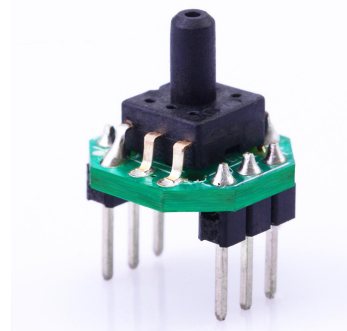
• *Support*

# XGZP6847A Pressure Sensor Module

## Features

---

- Ranges: -100kPa~0kPa...1500kPa(-15PSI~0PSI...225PSI)
- Optional 5V or 3.3V or 3V power supply
- Gage & Vacuum Type
- For Non-corrosive gas or air
- Calibrated Amplified Analog signal or Digital output
- Temp. Compensated:0°C~+60°C(32°F~+140°F)
- Direct application,Low Cost.



## Applications

---

- For Medical and healthy equipment field, such as Blood pressure test and monitor, Patient Monitoring, Infusion and Syringe Pumps, Anesthesia Machines, Respirators and Ventilators, NPWT, DVT, COPD Treatment, catheter, Kidney dialysis, Cupping& Cosmetology, Massage device etc.
- For Home appliance field, such as Refrigerator, Printer, Humidifier, Washer/Dryer, Coffee Machine, Cleaner, Robotic, Emergency Lamp, Sport Equipment etc.
- For Other fields, such as air pump, emergency lamp, dust collector, HVAC and pneumatic device, automotive application etc.

## Introduction

---

XGZP6847A is a perfect silicon pressure sensor module offering a ratiometric analog interface for reading pressure over the specified full scale pressure span and temp.range.

The XGZP6847A incorporates a silicon piezoresistive pressure sensor(XGZP SOP6) and an on-board Application Specific Integrated Circuit(ASIC) under PC board in a DIP6 package.

The XGZP6847A is fully calibrated and temperature compensated for offset,sensitivity, temperature and non-linearity,so XGZP6847A pressure sensor module satisfy the perfect repeatability,linearity, stability and sensibility, which can be applied directly in medical equipment, fitness machine,home electronics,and other pneumatic devices etc.

XGZP6847A pressure sensor module is for high volume application at an affordable cost and perfect performance.

Customized calibrations(working voltage,output voltage,and pressure range) are available.

## Performance Parameter

Unless otherwise specified, measurements were taken with a supply voltage of 5 Vdc at a temperature of  $25 \pm 1^\circ\text{C}$  and humidity ranging from 25% ~ 85% RH

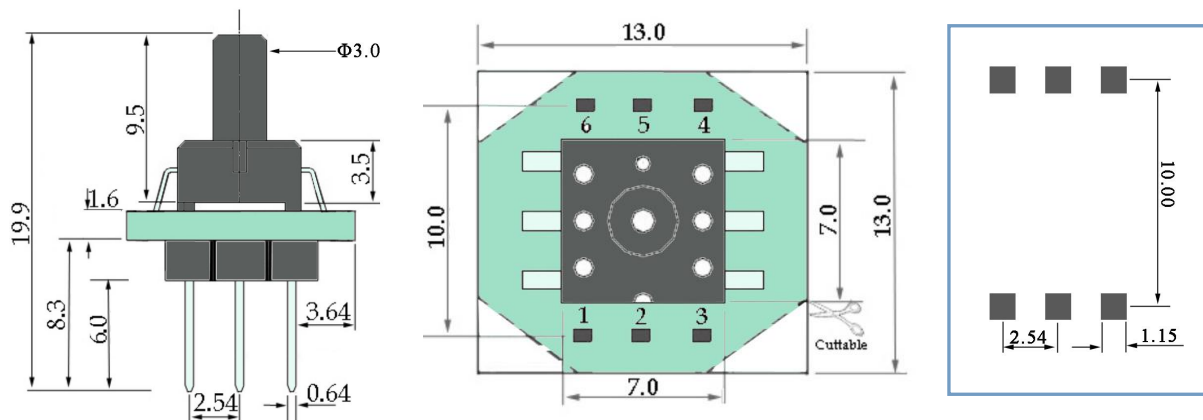
Item	Data	Unit
Power Supply	5(or 3.3 or 3)	V
Max. Excitation current	3	mA
Output Signal	0.5-4.5(or 0.2-2.7 or customized)	V
Accuracy( $\geq 20\text{kPa}$ )	$\pm 1.0$ (or $\pm 0.5$ )	%Span
TCO(Temp. Coefficient of Offset)	$\pm 0.03$	%FS/ $^\circ\text{C}$
TCS(Temp. Coefficient of Span)	$\pm 0.03$	%FS/ $^\circ\text{C}$
Long Term Stability(1year)	$\pm 0.5$	%Span
Over Pressure	2X ( $\leq 500\text{kPa}$ )	Rated
	1.5X ( $\geq 500\text{kPa}$ )	
Compensation Temp.	0 ~ 60/32 ~ 140	$^\circ\text{C}/^\circ\text{F}$
Ambient Temp.	-10 ~ 85/14 ~ 176	$^\circ\text{C}/^\circ\text{F}$
Storage Temp.	-40 ~ 125/-40 ~ 257	$^\circ\text{C}/^\circ\text{F}$

## Pressure Range (100kPa=0.1MPa=1bar $\approx$ 14.5PSI)

Pressure Range (kPa)	Model
0 ~ 2.5	XGZP6847A025HPG
0 ~ 5	XGZP6847A005KPG
0 ~ 10	XGZP6847A010KPG
0 ~ 20	XGZP6847A020KPG
0 ~ 40	XGZP6847A040KPG
0 ~ 100	XGZP6847A100KPG
0 ~ 200	XGZP6847A200KPG
0 ~ 500	XGZP6847A500KPG
0 ~ 700	XGZP6847A700KPG
0 ~ 1000	XGZP6847A001MPG
-100 ~ 0	XGZP6847A100KPGN
-30 ~ 0	XGZP6847A030KPGN
-20 ~ 0	XGZP6847A020KPGN
-5 ~ 5	XGZP6847A005KPGPN
-40 ~ 40	XGZP6847A040KPGPN
-100 ~ 100	XGZP6847A100KPGPN
-100 ~ 300	XGZP6847A300KPGPN
-100 ~ 700	XGZP6847A700KPGPN

Available for more custom pressure range such like -2.5~2.5kPa, , 0-1500kPa etc.,  
Please contact factory for tailor-made parameter

## Dimension & Recommended Footprint (Unit:mm) (Unit:mm)



## Electric Connection

1	2	3	4	5	6
N/C	N/C	Vss	Vdd	OUT	N/C

NOTE:

1,N/C Pins must be left floating

2,Soldering of lead Pins:250°C for 5 sec max.

## Order Guide

XGZP6847	A	100	KP	G	
					Pressure Type(G:Gauge GN:Negative GPN:P+N)
					Pressure Unit(MP: mPa KP: kPa HP:hPa)
					Pressure Range(000-999)
					Output Signal(A: Analog(0.5-4.5V) D:I2C)
					Series

Note: 5Vdc as default power voltage, add 33(or 30) behind model signify 3.3V(or 3.0V) power supply, e.g. XGZP6847A040KPG33(or XGZP6847A040KPG30).

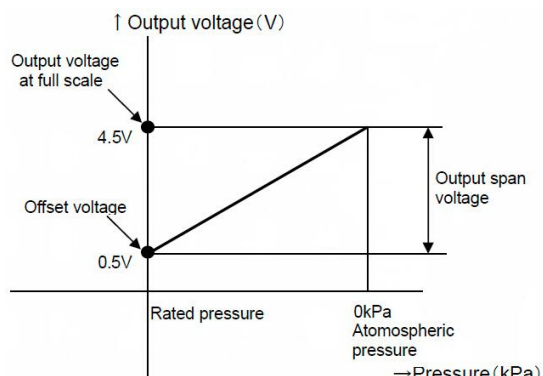
## Notes:

1. Implement ESD protection during soldering and assembly.
2. Overload voltage(6.5Vdc) or current(5mA) may burn the ASIC.
3. The medium must be compatible with the pressurized parts.
4. Please contact us for special request on parameter and application.

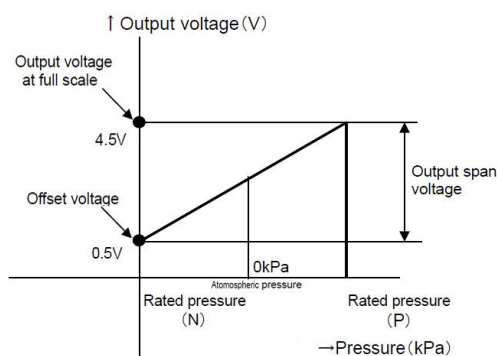
XGZP6847A Output VS.Pressure

(Output can be calibrated to reverse line with pressure, e.g. -100~0kPa correspond with 4.5~0.5V)

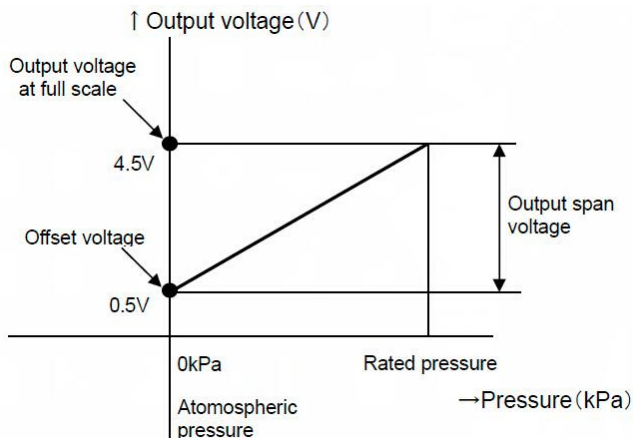
Model	100KPGN	030KPGN	020KPGN
Output (V)	Pressure (kPa)		
0.5	-100	-30	-20
1.5	-75	-22.5	-15
2.5	-50	-15	-10
3.5	-25	-7.5	-5
4.5	0	0	0



Model	040KPGPN	100KPGPN	300KPGPN	700KPGPN
Output (V)	Pressure (kPa)			
0.5	-40	-100	-100	-100
1.5	-20	-50	0	100
2.5	0	0	100	300
3.5	20	50	200	500
4.5	40	100	300	700



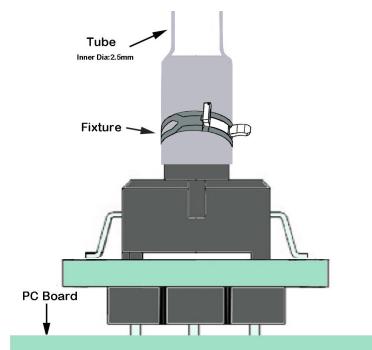
Model	005KPG	010KPG	020KPG	040KPG	100KPG	200KPG	500KPG	700KPG	001MPG
Output (V)	Pressure (kPa)								
0.5	0	0	0	0	0	0	0	0	0
1.5	1.25	2.5	5	10	25	50	125	175	250
2.5	2.5	5	10	20	50	100	250	350	500
3.5	3.75	7.5	15	30	75	150	375	525	750
4.5	5	10	20	40	100	200	500	700	1000



## Mounting Manual

The following steps is for transmitting the air pressure to sensor.

- 1, Select the air pressure inlet pipe (recommended dia: 2.5mm) that is firm enough to prevent the pressure leaks.
- 2, We suggest to fix the air pressure inlet pipe securely by a fixture when pressure is exceed 300kPa.
- 3, Do not block the inlet pipe
- 4, Avoiding excessive external force operation



Any more question, please contact sales or tech-support([info@CFSensor.com](mailto:info@CFSensor.com))

The listed specifications and dimensions are subject to change without prior notice.

## Overall Notes:

### Mounting

Adopting land on the PC board for ensuring the sensor is securely fixed.

### Soldering

Due to its small size, the thermal capacity of the pressure sensor is low. Therefore, take steps to minimize the effects of external heat. Damage and changes to characteristics may occur due to heat deformation. Use a non-corrosive resin type of flux. Since the pressure sensor is exposed to the atmosphere, do not allow flux to enter inside.

#### ▼ Manual soldering

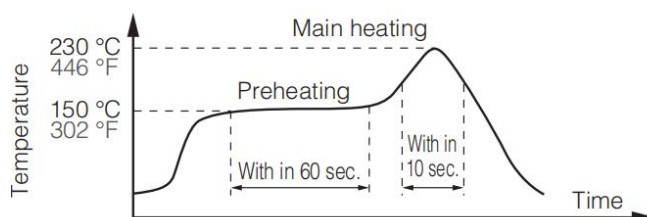
- Raise the temperature of the soldering tip between 260 and 300°C/500 and 572°F (30 W) and solder within 5 seconds.
- The sensor output may vary if the load is applied on the terminal during soldering.
- Keep the soldering tip clean.

#### ▼ DIP soldering (DIP Terminal)

- Keep the temperature of the DIP solder tank below 260°C/500 and solder within 5 seconds.
- To avoid heat deformation, do not perform DIP soldering when mounting on the circuit board which has a small thermal capacity.

#### ▼ Reflow soldering (SMD Terminal)

- The recommended reflow temperature profile conditions are given below.



- We recommend the screen solder printing method as the method of cream.
- Please refer to the recommended PC board specification diagram for the PC board foot pattern.
- Self alignment may not always work as expected, therefore, please carefully the position of the terminals and pattern.
- The temperature of the profile is assumed to be a value measured with the printed wiring board of the terminal neighborhood.
- Please evaluate solderability under the actual mounting conditions since welding and deformation of the pressure inlet port may occur due to heat stress depending on equipments or conditions.
- ▼ Rework soldering
  - Complete rework at a time.
  - Use a flattened soldering tip when performing rework on the solder bridge. Do not add the flux.
  - Keep the soldering tip below the temperature described in the specifications.
- ▼ Avoid drop and rough handling as excessive force may deform the terminal and damage soldering characteristics.
- ▼ Keep the circuit board warpage within 0.05 mm of the full width of the sensor.
- ▼ After soldering, do not apply stress on the soldered part when cutting or bending the circuit board.
- ▼ Prevent human hands or metal pieces from contacting with the sensor terminal. Such contact may cause anomalous outlets as the terminal is exposed to the atmosphere.
- ▼ After soldering, prevent chemical agents from adhering to the sensor when applying coating to avoid insulation deterioration of the circuit board.
- ▼ Please consult us concerning leadfree soldering.

### **Wire Connection**

- ▼ Correctly wire as in the connection diagram. Reverse connection may damage the product and degrade the performance.
- ▼ Do not use idle terminals to prevent damages to the sensor.

### **Cleaning**

- ▼ Since the pressure sensor chip is exposed to the atmosphere, do not allow cleaning fluid to enter inside.
- ▼ Avoid ultrasonic cleaning since this may cause breaks or disconnections in the wiring.

### **Environment**

- ▼ Please avoid using or storing the pressure sensor chip in a place exposed to corrosive gases (such as the gases given off by organic solvents, sulfurous acid gas, hydrogen sulfides, etc.) which will adversely affect the performance of the pressure sensor chip.
- ▼ Since this pressure sensor chip does not have a water-proof construction, please do not use the sensor in a location where it may be sprayed with water, etc.
- ▼ Avoid using the pressure sensors chip in an environment where condensation may form. Furthermore, its output may fluctuate if any moisture adhering to it freezes.

▼ The pressure sensor chip is constructed in such a way that its output will fluctuate when it is exposed to light. Especially when pressure is to be applied by means of a transparent tube, take steps to prevent the pressure sensor chip from being exposed to light.

▼ Avoid using the pressure sensor chip where it will be susceptible to ultrasonic or other high-frequency vibration.

▼ Please keep the sensors sealed using static shielding bags on storage. The PINs of sensor are plated by Ag. If the sensors expose to an atmosphere, the PINs will be black by oxidation.

### **Quality Check under actual loading conditions**

To assure reliability, check the sensor under actual loading conditions. Avoid any situation that may adversely affect its performance.

### **Other handling precautions**

▼ That using the wrong pressure range or mounting method may result in accidents.

▼ The only direct pressure medium you can use is dry air. The use of other media, in particular, corrosive gases (organic solvent based gases, sulfurous acid based gases, and hydrogen sulfide based gases, etc.) and media that contains moisture or foreign substances will cause malfunction and damage. Please do not use them.

▼ The pressure sensor chip is positioned inside the pressure inlet. Never poke wires or other foreign matter through the pressure inlet since they may damage the chip or block the inlet. Avoid use when the atmospheric pressure inlet is blocked.

▼ Use an operating pressure which is within the rated pressure range. Using a pressure beyond this range may cause damage.

▼ Since static charge can damage the pressure sensor chip, bear in mind the following handling precautions.

○ When storing the pressure sensor chips, use a conductive material to short the pins or wrap the entire chip in aluminum foil. Plastic containers should not be used to store or transport the chips since they readily become charged.

○ When using the pressure sensor chips, all the charged articles on the bench surface and the work personnel should be grounded so that any ambient static will be safely discharged.

▼ Based on the pressure involved, give due consideration to the securing of the pressure sensor DIP type and to the securing and selection of the inlet tube.

## **Safety Precautions**

● Do not use these sensors under any circumstances in which the range of their ratings, environment conditions or other specifications are exceeded. Using the sensors in any way which causes their specifications to be exceeded may generate abnormally high levels of heat, emit smoke, etc., resulting in damage to the circuitry and possibly causing an accident.

● Before connecting a connector, check the pin layout by referring to the connector wiring diagram, specifications diagram, etc., and make sure that the connector is connected properly. Take note that mistakes made in connection may cause unforeseen problems in operation, generate abnormally high levels of heat, emit smoke, etc., resulting in damage to the circuitry.



- Do not use any pressure sensor which has been disassembled or remodeled.
- Protection circuit recommended.

The possible failure mode is either open or short of the output transistor.

An excess heat is the cause for short mode failure. For any important and serious application in terms of safety, add protection circuit or any other protection method.

- Various safety equipment and safety equipment
- Traffic light
- Security crime prevention equipment
- Equipment concerning control and safety of trains, cars, etc.
- Applications such as temperature control using sensor output etc.
- If it is expected that malfunction of each sensor may cause injury to persons or serious expansion damage, be sure to implement safety measures such as double safety circuit.